

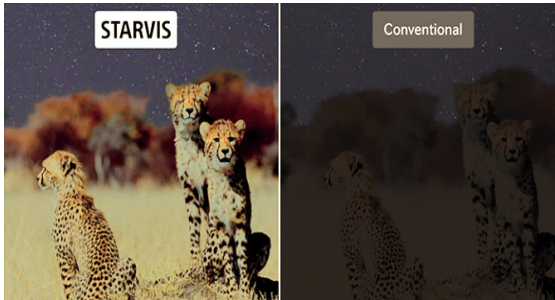
Dome Camera



Natalus

12NA-VDO-F

STARVIS



FEATURES

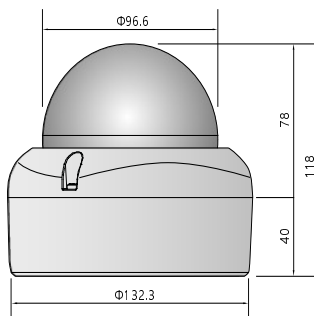
- 1/1.7" Sony 12.4MP Image Sensor
- Ultra low light color camera
- Triple Codec (H.264 / H.265/ MPEG4 / MJPEG)
- Triple Stream
- WDR, 2D/3D DNR, Defog
- Max. 15Fps @ any resolution
- ONVIF
- PoE , IP66

SPECIFICATIONS

12NA-VDO-F

Image	
Image Device	1/1.7" Sony Exmor 12.4MP Image Sensor
Scan system	Progressive Scan
Total Pixels	4168(H) x 3062(V), 12.76Mega Pixels
Effective Pixels	4072(H) x 3046(V), 12.4Mega Pixels
Min. Illumination	Color: 0.05Lux/ F1.2 , 0.Lux (LED on)
Motion Detection	432 Zone (on / off, 1 ~5 step)
Privacy Masking	Off / On (16 programmable zones)
Day & Night	Color / B/W /Auto
LED	25 IR LED
WDR	WDR (1~3Step)
Function	
Electronics Shutter Speed	Auto (1/30~ 1/30,000), , Suppress rolling, Manual
3DNR	2D/ 3DNR
White Balance	Auto / push / user
Ext. Video	CVBS.1.0Vp-p
LENS	
Focal Length	Megapixel f=5mm
Electrical	
Current Consumption	DC 12V / POE Current Max. 750mA 1A power supply needed, 1.5A recommended
Operating Temp	-10°C ~ +50°C
Storage Temp	-20°C ~ +60°C
Dimension (WxH)	Φ77 X 157 mm
Weight	300g
Network Section	
OS	Embedded Linux
Network interface	Ethernet 10/100 Base-T PoE (RJ-45)
Onvif	Ver 17.06
DDNS	iplinker.net
Network Protocol	TCP/IP, UDP/IP, RTP, RTSP, RTCP, NTP, HTTP, DHCP, FTP, SMTP, DNS, DDNS
Simultaneous access	max. 10 user
Video Compression	H.264,H.265, MPEG4, MJPEG
Resolution	4000x3000/3000x3000/3840x2160/2560x1920/2560x1600 /2048x1536/1600x1200/ 1920x1080/1280x1024/1280x960/1280x720/ 1024x768/854x480/640x480/640x360/320x240/320x180
Max. Framerate	Max. 15fps @ all resolution
Video Quality Adjustment	H.264/H.265/MPEG4 : Bitrate Level Control MJPEG : Quality level Control
Streaming Capability	Triple stream (stream 1,2,3) RTP/RTSP, Unicast RTP, Multicast RTP
Audio compress format	G.711 u-law
Audio Streaming	Two way
Event (Sensor In)	1 (Digital Input)
Alarm out	1 (Digital output, Open collector)
Web Browser	Manager : IE, Firefox, Safari, Opera IE over 10 ver. (Active-X)

Dimensions



Security Warehouse India Pvt. Ltd.

C-63/4, Okhla Industrial Area, Phase –II, New Delhi -110020.

sales@natalus.co.in



Specifications subject to change without prior notice

WWW.NATALUS.IN