

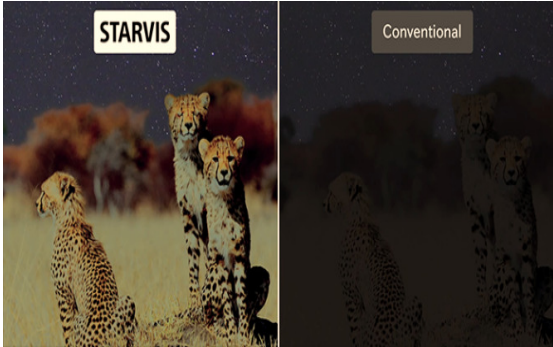
Dome Camera



Natalus

2NA-VDO-MVF

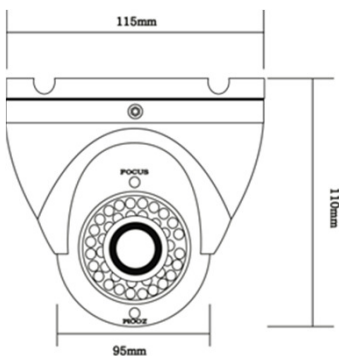
STARVIS



FEATURES

- Sony Starvis 1/2.8" CMOS Sensor
- Triple Codec (H.265 / H.264 / MJPEG)
- Smart Tripwire & More
- 42 IR LED, IR Range Max. 40M
- ONVIF
- PoE
- 2D/3D DNR
- True-WDR (120dB)
- IP66
- 60fps Optional with 3.6 ~ 11mm Lens

DIMENSIONS



Non Motorised Model – 2NA-VDO-VF

SPECIFICATION - 2NA-VDO-MVF

SPECIFICATION - 2NA-VDO-MVF	
Device Property	
Image Device	Sony Starvis 1/2.8" CMOS Sensor
Video Encoding	H.265/H.264HighProfile/Main Profile/BaseLine Profile
	H.265+/H.264HighProfile/Main Profile+/BaseLine Profile+
Maximum Image Output	Main stream : 1920*1080@25 / 30fps, Auxiliary stream 1:704*576@25 / 30fps Auxiliary stream2:1280*720@14 / 3fps
Video Bit Rate	32Kbps~8MKbps
Video Property	
Min. Illumination	Color 0.05 Lux @ F1.2 (AGC On)
	Black and White 0.005Lux @ F1.2 (AGC On)
LED	42 IR LED
Electronic Shutter Speed	Auto (1/3~1/10,000)
DNR	2D and 3D DNR
WDR	Support 120 dB True WDR
Day/Night switch	Color/B&W/Light sensitive switch / Mixed mode switch
Video adjustments	Sharpness, Brightness, Saturation, Contrast, Chroma adjustment
Defog, Denoise	Yes
LENS	
Focal Length	Motorised 2.8 ~ 12mm or 3.6 ~ 11mm
Functions	
Motion Detection	Multiple detection zones, variable sensitivity levels
Capture function	JPEG, Capture resolution is max coding resolution
Security	Password protection and water marker
OSD	Support Channel Name and Time,
Smart function	Tripwire, Object Detection, Wrong Direction, Tamper
Smart Alarm	Network, Lens Blur, Camera Moved
Protocol	TCP/IP ; UDP ; HTTP ; IGMP ; ICMP ; DHCP ; RTP/RTSP ; DNS ; DDNS ; FTP ; NTP ; PPPoE ; UPNP ; SMTP ; SNMP
Interface	ONVIF2.6
Web interface	Ethernet 10/100M port (RJ-45)
Others	
Protection	Power Supply, Lan, POE all lightning protection, meets IEC61000-4-5 Standards, IP66
Current Consumption	DC 12V / POE
	< 1.5W (without IR LED)
Operating Temp	-20°C ~ +60°C
Storage Temp	-20°C ~ +60°C
Dimension (WxH)	∅ (95 + 115) x 110H



Security Warehouse India Pvt. Ltd.
C-63/4, Okhla Industrial Area, Phase –II, New Delhi-110020.
sales@natalus.co.in

Specifications subject to change without prior notice