

Dome Camera

Natalus



4NA-VDO-F

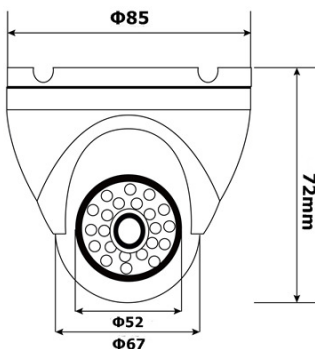
OV4689

**COLOR CMOS 4-MEGAPIXEL
(2688x1520) IMAGE SENSOR
WITH
OMNIBSI™-2 TECHNOLOGY**

FEATURES

- 1/3" CMOS Sensor
- Triple Codec (H.265 / H.264 / MJPEG)
- Smart Tripwire & More
- 24IR LED, IR Range Max. 20M
- ONVIF
- PoE
- 2D/3D DNR
- True-WDR (120dB)
- IP66

DIMENSIONS



SPECIFICATION – 4NA-VDO-F

Device Property	
Image Device	1/3" CMOS Sensor
Video Encoding	H.265/H.264High Profile/Main Profile/BaseLine Profile/MJPEG
	H.265+/H.264High Profile+/Main Profile+/BaseLine Profile+
Maximum Image Output	Main stream : 2560*1440@25fps, Auxiliary stream 1 : 704*576@25fps Auxiliary stream 2: 1280*720@9fps
Video Bite Rate	32Kbps~8MKbPs
Video Property	
Min. Illumination	Color 0.5 Lux @ F1.2 (AGC On)
	Black and White 0.05Lux @ F1.2 (AGC On)
LED	24IR LED
Electronics Shutter Speed	Auto (1/3~1/10,000)
DNR	2D and 3D DNR
WDR	Support 120dB True WDR
Day/Night switch	Color/B&W/Light sensitive switch / Mixed mode switch
Video adjust	Sharpness, Brightness, Saturation, Contrast, Chroma adjustable
Backlight compensation	Support
LENS	
Focal Length	Megapixel f=3.6MM FIXED LENS, 6mm Optional
Functions	
Motion Detection	Multiple detection zones, variable sensitivity levels
Capture function	JPEG, Capture resolution is max coding resolution
Security	Password protection and water marker
OSD	Support Channel Name and Time,
Smart function	Tripwire, Object Detection, Wrong Direction, Tamper
Smart Alarm	Network, Lens Blur, Camera Moved
Mobile App	iphone and Android
Protocal support	TCP/IP ; UDP ; HTTP ; IGMP ; ICMP ; DHCP ; RTP/RTSP ; DNS ; DDNS ; FTP ; NTP ; PPPoE ; UPNP ; SMTP ; SNMP
Interface protocal	ONVIF2.6
Web interface	Ethernet 10/100M port (RJ-45)
Others	
Lightning Protection	Power supply, Lan, POE all lightning protection, meets with IEC61000-4-5 Standards
Current Consumption	DC 12V / POE (-P)
	< 2W (without IR LED)
Operating Temp	-20°C ~ +60°C
Storage Temp	-20°C ~ +60°C
Dimension (WxH)	∅ (67 + 85) x 72H



Security Warehouse India Pvt. Ltd.
C-63/4, Okhla Industrial Area, Phase –II, New Delhi -110020.
sales@natalus.co.in

Specifications subject to change without prior notice

WWW.SECURITYWAREHOUSE.CO.IN